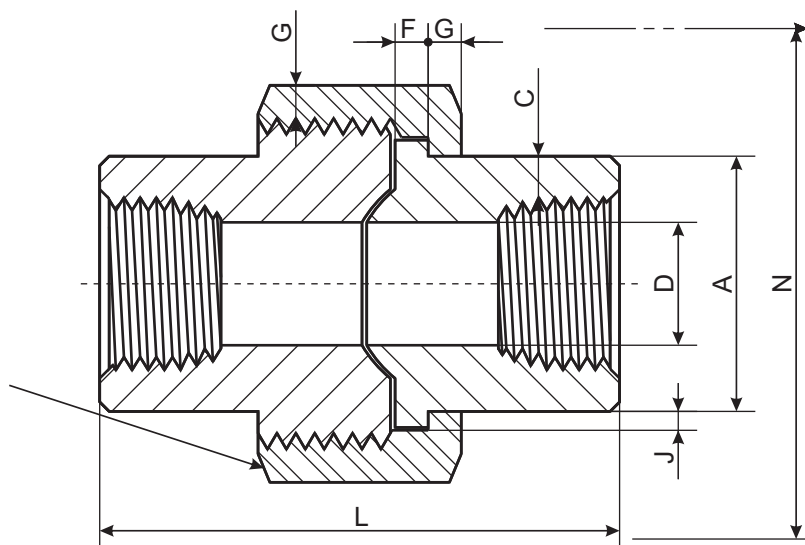


► Unions Threaded

Threaded End MSS-SP-83-2006

H-Thrd's
Minimum 4 Full Thrd's
Engagement Class 2A/2B Fit
ANSI B1.1



| Nom. Pipe Size | Pipe End | Wall | Water Way Bore | Male Flange | Nut | Threads Per 25.4mm | Bearing | Length Assem. Nom. | Clear Assem. Nut |
|----------------|----------|-------|----------------|-------------|-------|--------------------|---------|--------------------|------------------|
| | Min.A | Min.C | D | Min.F | Min.G | Max.H | Min.J | L | N |
| 1/8" | 14.7 | 2.41 | 8.43 6.43 | 3.18 | 3.18 | 16 | 1.24 | 41.4 | 50.8 |
| 1/4" | 19.0 | 3.02 | 11.13 9.45 | 3.18 | 3.18 | 16 | 1.24 | 41.4 | 50.8 |
| 3/8" | 22.9 | 3.20 | 14.27 13.51 | 3.43 | 3.43 | 14 | 1.37 | 46.0 | 55.9 |
| 1/2" | 27.7 | 3.73 | 17.86 17.07 | 3.68 | 3.68 | 14 | 1.50 | 49.0 | 58.4 |
| 3/4" | 33.5 | 3.91 | 23.01 21.39 | 4.06 | 4.06 | 11 | 1.68 | 56.9 | 66.0 |
| 1" | 41.4 | 4.55 | 28.98 27.74 | 4.57 | 4.45 | 11 | 1.85 | 62.0 | 78.7 |
| 1-1/4" | 50.5 | 4.85 | 37.69 35.36 | 5.33 | 5.21 | 11 | 2.13 | 71.1 | 94.0 |
| 1-1/2" | 57.2 | 5.08 | 43.54 41.20 | 5.84 | 5.59 | 10 | 2.31 | 76.5 | 111.8 |
| 2" | 70.1 | 5.54 | 55.58 52.12 | 6.60 | 6.35 | 10 | 2.69 | 86.1 | 132.1 |
| 2-1/2" | 85.3 | 7.01 | 66.27 64.31 | 7.49 | 7.11 | 8 | 3.07 | 102.4 | 149.9 |
| 3" | 102.4 | 7.62 | 88.25 77.27 | 8.26 | 8.00 | 8 | 3.53 | 109.0 | 175.3 |

(1) Dimensions in Millimeters.

(2) Upper and lower values for each size are the respective maximum and minimum dimensions.