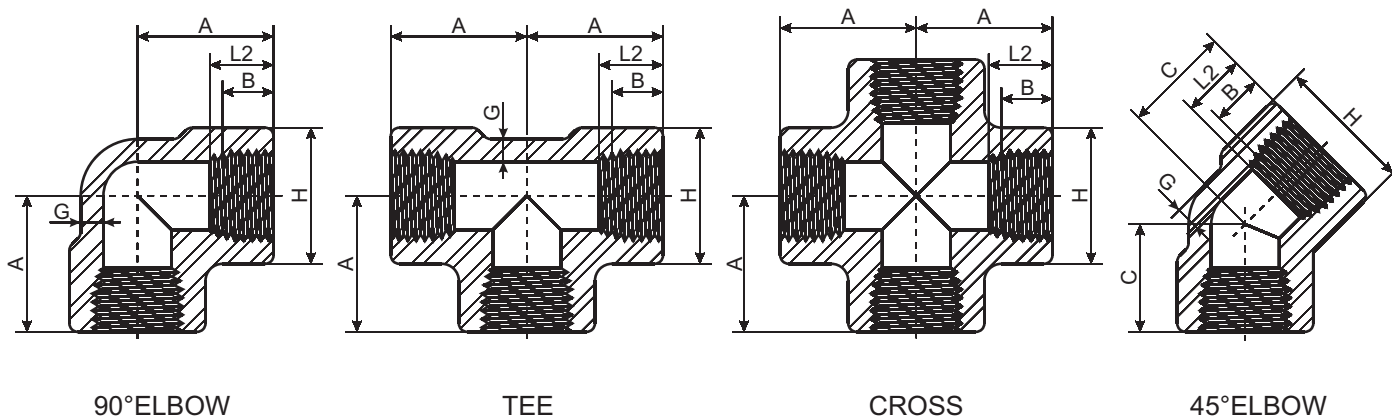


## ▶ Thread Fittings

ASME B16.11-2009(Revision of ASME B16.11-2005)



DN	Nom. Pipe Size	Center to End Elbow, Tee, Cross A			Center to End 45° Elbow C			Outside Diameter Of Band H			Minimum Wall Thickness G			Length Of Thread Min. (1)	
		2000	3000	6000	2000	3000	6000	2000	3000	6000	2000	3000	6000	B	L2
6	1/8"	21	21	25	17	17	19	22	22	25	3.18	3.18	6.35	6.4	6.7
8	1/4"	21	25	28	17	19	22	22	25	33	3.18	3.30	6.60	8.1	10.2
10	3/8"	25	28	33	19	22	25	25	33	38	3.18	3.51	6.98	9.1	10.4
15	1/2"	28	33	38	22	25	28	33	38	46	3.18	4.09	8.15	10.9	13.6
20	3/4"	33	38	44	25	28	33	38	46	56	3.18	4.32	8.53	12.7	13.9
25	1"	38	44	51	28	33	35	46	56	62	3.68	4.98	9.93	14.7	17.3
32	1-1/4"	44	51	60	33	35	43	56	62	75	3.89	5.28	10.59	17.0	18.0
40	1-1/2"	51	60	64	35	43	44	62	75	84	4.01	5.56	11.07	17.8	18.4
50	2"	60	64	83	43	44	52	75	84	102	4.27	7.14	12.09	19.0	19.2
65	2-1/2"	76	83	95	52	52	64	92	102	121	5.61	7.65	15.29	23.6	28.9
80	3"	86	95	106	64	64	79	109	121	146	5.99	8.84	16.64	25.9	30.5
100	4"	106	114	114	79	79	79	146	152	152	6.55	11.18	18.67	27.7	33.0

(1) Dimensions in Millimeters.

(2) Dimension B is minimum length of perfect thread. The length of useful thread (B plus threads with fully formed roots and flat crests) shall not be less than L2 (effective length of external thread) required by American National Standard for Pipe Threads (ANSI/ASME B1.20.1)