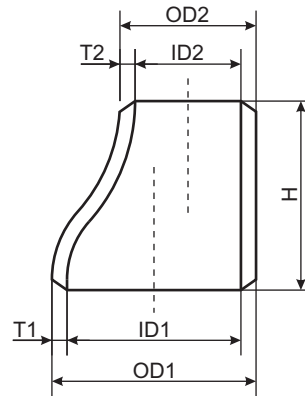
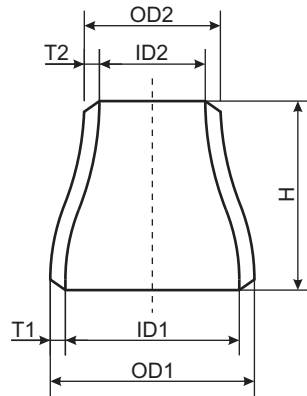


STEEL PIPE FITTINGS



► Concentric and Eccentric Reducers



MSS SP-75 ANSI B16.9(in mm)
* Wellgrow's standard

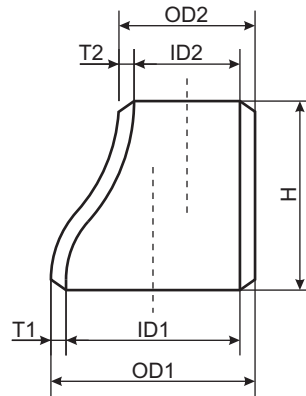
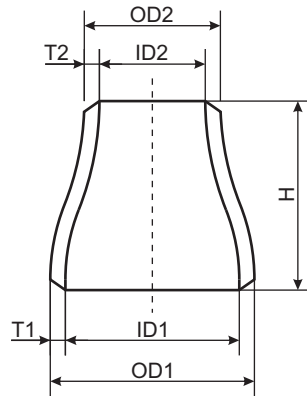
Nominal Pipe Size (NPS)	Outside Diameter at Bevel		End-to-end
	Large End	Small End	
3/4x1/2	26.7	21.3	38.1
3/4x3/8		17.3	
1x3/4	33.4	26.7	50.8
1x1/2		21.3	
1-1/4x1	42.2	33.4	50.8
1-1/4x3/4		26.7	
1-1/4x1/2		21.3	
1-1/2x1-1/4	48.3	42.2	63.5
1-1/2x1		33.4	
1-1/2x3/4		26.7	
1-1/2x1/2		21.3	
2x1-1/2	60.3	48.3	76.2
2x1-1/4		42.2	
2x1		33.4	
2x3/4		26.7	
2-1/2x2	73.0	60.3	88.9
2-1/2x1-1/2		48.3	
2-1/2x1-1/4		42.2	
2-1/2x1		33.4	
3x2-1/2	88.9	73.0	88.9
3x2		60.3	
3x1-1/2		48.3	
3x1-1/4		42.2	
3-1/2x3	101.6	88.9	101.6
3-1/2x2-1/2		73.0	
3-1/2x2		60.3	
3-1/2x1-1/2		48.3	
3-1/2x1-1/4		42.2	
4x3-1/2	114.3	101.6	101.6
4x3		88.9	
4x2-1/2		73.0	
4x2		60.3	
4x1-1/2		48.3	
5x4	141.3	114.3	127.0
5x3-1/2		101.6	
5x3		88.9	
5x2-1/2		73.0	
5x2		60.3	
6x5	168.3	141.3	139.7
6x4		114.3	
6x3-1/2		101.6	
6x3		88.9	
6x2-1/2		73.0	

Nominal Pipe Size (NPS)	Outside Diameter at Bevel		End-to-end
	Large End	Small End	
8x6	219.1	168.3	152.4
8x5		141.3	
8x4		114.3	
8x3-1/2		101.6	
8x3		88.9	
8x2-1/2		73.0	
10x8	273.1	29.1	177.8
10x6		168.3	
10x5		141.3	
10x4		114.3	
12x10	323.9	273.1	203.2
12x8		219.1	
12x6		168.3	
12x5		141.3	
14x12	355.6	323.9	330.2
14x10		273.1	
14x8		219.1	
14x6		168.3	
16x14	406.4	355.6	355.6
16x12		323.9	
16x10		273.1	
16x8		219.1	
18x16	457.2	406.4	381.0
18x14		355.6	
18x12		323.9	
18x10		273.1	
18x8		219.1	
20x18	508.0	457.2	508.0
20x16		406.4	
20x14		355.6	
20x12		323.9	
20x10		273.0	
22x20	558.8	508.0	508.0
22x18		457.2	
22x16		406.4	
22x14		355.6	
22x12		323.8	
24x22	609.6	558.8	508.0
24x20		508.0	
24x18		457.2	
24x16		406.4	
24x16		355.6	
24x16		323.8	

STEEL PIPE FITTINGS



► Concentric and Eccentric Reducers



MSS SP-75 ANSI B16.9(in mm)
* Wellgrow's standard

Nominal Pipe Size (NPS)	Outside Diameter at Bevel		End-to-end
	Large End	Small End	
26x24	660.4	609.6	609.6
26x22		558.8	
26x20		508.0	
26x18		457.2	
26x16		406.4	
26x14		355.6	
28x26	711.2	660.4	609.6
28x24		609.6	
28x22		559.0	
28x20		508.0	
28x18		457.2	
28x16		406.4	
28x14		355.6	
30x28	762.0	711.2	609.6
30x26		660.4	
30x24		609.6	
30x22		559.0	
30x20		508.0	
30x18		457.0	
30x16		406.4	
30x14		355.6	
32x30	813.0	762.0	609.6
32x28		711.0	
32x26		660.0	
32x24		610.0	
32x22		559.0	
32x20		508.0	
34x32	863.6	812.8	609.6
34x30		762.0	
34x28		711.0	
34x26		711.2	
34x24		660.4	
34x22		559.0	
36x34	914.0	864.0	609.6
36x32		813.0	
36x30		762.0	
36x28		711.0	
36x26		660.0	
36x24		610.0	
36x22		559.0	
38x36	965.0	914.0	609.6
38x34		864.0	
38x32		813.0	
38x30		762.0	
38x28		711.0	
38x26		660.0	
38x24		610.0	

Nominal Pipe Size (NPS)	Outside Diameter at Bevel		End-to-end
	Large End	Small End	
40x38	1016.0	965.0	609.6
40x36		914.0	
40x34		864.0	
40x32		813.0	
40x30		762.0	
40x28		711.0	
42x40	1067.0	1016.0	609.6
42x38		965.0	
42x36		914.4	
42x34		863.6	
42x32		812.8	
42x30		762.0	
42x28		711.0	
44x42	1117.6	1066.8	609.6
44x40		1016.0	
44x38		965.2	
44x36		914.4	
44x34		864.0	
44x32		813.0	
46x44	1168.4	1117.6	711.2
46x42		1066.8	
46x40		1016.0	
46x38		965.2	
46x36		914.0	
46x34		864.0	
48x46	1219.2	1168.4	711.2
48x44		1117.6	
48x42		1066.8	
48x40		1016.0	
48x38		965.0	
48x36		914.0	
52x48	1321.0	1219.0	711.2
52x46		1168.0	
52x44		1118.0	
52x42		1067.0	
52x40		1016.0	
56x52	1422.0	1321.0	711.2
56x48		1219.0	
56x44		1118.0	
56x40		1016.0	
60x56	1524.0	1422.0	711.2
60x52		1321.0	
60x48		1219.0	
60x44		1118.0	